

iPOLiS

SPE-400

4CH Network Video Encoder



4CH

H.264

4CIF

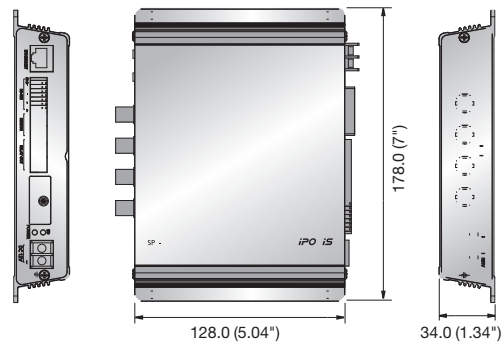
Bi-directional
Audio

Key Features

- Max. 30(25)fps at 4CIF resolution
- H.264, MPEG-4, MJPEG multiple codec
- Multiple streaming simultaneously
- 10/100/1000BASE-T
- SD memory, Bi-directional audio support

Dimensions

Unit : mm (inch)



Technical Specifications

| | SPE-400N | SPE-400P |
|----------------------------------|---|--|
| OPERATIONAL | | |
| Video In | 4 CVBS : 1.0 Vp-p / 75Ω composite, NTSC/PAL auto detection | |
| De-interlacing Filter | Built-in | |
| Event Trigger | Motion detection, Alarm input, Video loss | |
| Alarm I/O | Input 4ea / Output 4ea (Relay) | |
| Remote Control Interface | 4ea RS-485 (Half duplex) | |
| RS-485 Protocol | Samsung-T/E, Pelco-P/D, Panasonic, Vicon, Honeywell, AD, GE, Bosch, Sungjin | |
| NETWORK | | |
| Ethernet | RJ-45 (10/100/1000BASE-T) | |
| Video Compression Format | H.264, MPEG-4, MJPEG | |
| Resolution | 704 x 480, 640 x 480, 352 x 240, 320 x 240 | 704 x 576, 640 x 480, 352 x 288, 320 x 240 |
| Max. Framerate | 30fps per channel | 25fps per channel |
| Video Quality Adjustment | H.264, MPEG-4 : Compression level, Target bitrate level control MJPEG : Quality level control | |
| Bitrate Control Method | H.264, MPEG-4 : CBR or VBR, MJPEG : VBR | |
| Streaming Capability | Multiple streaming (Up to 10 profiles) | |
| Audio I/O | 1ea line in / 1ea line out (CH1 only) | |
| Audio Compression Format | G.711 u-law | |
| Audio Communication | Bi-directional audio | |
| IP | IPv4, IPv6 | |
| Protocol | TCP/IP, UDP/IP, RTP(UDP), RTP(TCP), RTSP, NTP, HTTP, HTTPS, SSL, DHCP, PPPoE FTP, SMTP, ICMP, IGMP, SNMPV1/V2C/V3(MIB-2), ARP, DNS, DDNS | |
| Security | HTTPS(SSL) login authentication, Digest login authentication IP address filtering, User access log | |
| Streaming Method | Unicast / Multicast | |
| Max. User Access | 10 users at unicast mode | |
| Memory Slot | SD/SDHC memory slot (CH1 only) | |
| ONVIF Conformance | Yes | |
| Web Viewer | Supported OS : Windows XP / VISTA / 7, MAC OS Supported Browser : Internet Explorer 7.0/8.0, Firefox, Google Chrome, Apple Safari | |
| Central Management Software | NET-i viewer | |
| ENVIRONMENTAL | | |
| Operating Temperature / Humidity | 0°C ~ +40°C (+32°F ~ +104°F) / 20% ~ 80% RH | |
| ELECTRICAL | | |
| Input Voltage / Current | 12V DC | |
| Power Consumption | Max. 15W | |
| MECHANICAL | | |
| Color / Material | Silver / Metal | |
| Dimensions (WxHxD) | 128.0 x 34.0 x 178.0mm (5.04" x 1.34" x 7") | |
| Weight | 562g (1.29 lb) | |

NETWORK
ANALOGUE CAMERA
DVR
LENS
PERIPHERAL
MONITOR
CONTROLLER
SECURITY ROBOT
ACCESS CONTROL SYSTEM