



Protect your asset

1080p Full HD AIO Accessory Camera



SDC-9441BC

1080p Full HD Weatherproof IR Camera

- 1080p Full high definition resolution
- Wide angle field of view
- 3-Dimensional noise reduction for clear video quality at low light conditions
- True Day & Night with ICR for perfect color reproduction
- IP66 weather resistant
- Night vision up to 82ft (25m)

**Kit Contents**

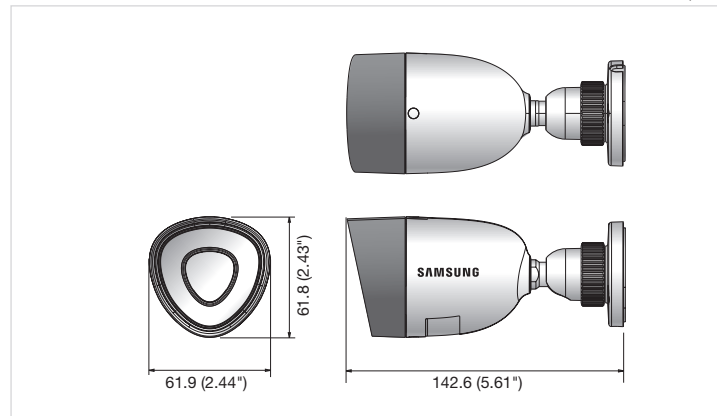
- Camera (SDC-9441BC) 1pcs
- 60ft BNC Camera Cable 1pcs
- Plastic Achors / Screws
- User Manual

SDC-9441BC

VIDEO	
Imaging Device	1/2.9" 2M CMOS
Effective Pixels	1920(H) x 1080(V)
Scanning System	Progressive, 30fps (NTSC) / 25fps (PAL)
Synchronization	Internal
Min. Illumination	0Lux (IR LED on)
Camera Output	1CH BNC, Maximum Transmission Length : 300m (75Ω 3C2V)
Min. Cable Length	60ft (18.3m) included
LENS	
Focal Length	4mm
Max. Aperture Ratio	F2.1
Angular Field of View	H : 72.2° / V : 52.9° (Tolerance range ±6%)
OPERATIONAL	
Shutter Mode	Auto (Rolling shutter)
Gain Control	Auto
White Balance	Auto (1,800°K ~ 10,500°K)
Digital Noise Reduction	3D DNR
Flickerless	Auto
Day & Night	True Day/Night with ICR
IR Distance	25m (82ft)
ENVIRONMENTAL	
Operating Temperature / Humidity	-10°C ~ +50°C (+14°F ~+122°F) / Less than 90% RH
Ingress Protection	IP66
ELECTRICAL	
Input Voltage	12V DC
Power Consumption	Max. 3.7W
MECHANICAL	
Color / Material	Front : Gray silver / PC, Body : White / PC, Bracket : White / ADC12
Dimensions (WxHxD)	142.6 x 61.9 x 61.8mm (5.61" x 2.44" x 2.43")
Weight	191g (0.42 lb)
MECHANICAL	
Dimensions (WxHxD)	276.0 x 106.0 x 78.0mm (10.87" x 4.17" x 3.07")
Weight	720g (1.59 lb)

Dimensions

Unit : mm (inch)



Design and specifications are subject to change without notice.

