

Impressive Cost Performance Ratio

SCO-2040R

High Resolution Small IR One-Body Camera

- High resolution of 650TV lines
- Min. Illumination 0Lux (IR LED on), IR distance 25m
- Built-in fixed lens (8mm)
- DNR, 12V DC, IP66



High Resolution Small IR Dome Camera

SCO-2030R/2040R

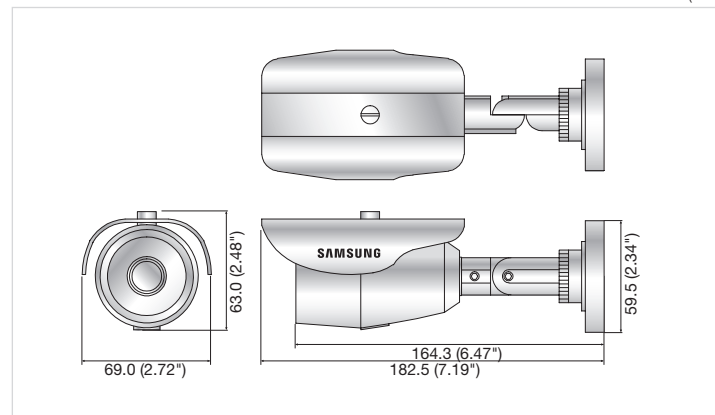


Specifications

SCO-2040RN	
VIDEO	
Imaging Device	1/3" CMOS
Total Pixels	680(H) x 512(V)
Scanning System	2 : 1 Interlace
Synchronization	Internal
Frequency	H : 15.734Hz / V : 59.94Hz
Horizontal Resolution	Color : 650TV lines
Min. Illumination	0Lux (IR LED on)
S / N Ratio	46dB (AGC off, Weight on)
Video Output	CVBS : 1.0 Vp-p / 75Ω composite
LENS	
Focal Length (Zoom Ratio)	8mm (Fixed)
Max. Aperture Ratio	F2.0
Angular Field of View	H : 38.5° / V : 32.6° / D : 45° :
Min. Object Distance	0.2m (0.66ft)
Lens Type	Fixed
Mount Type	Board type
OPERATIONAL	
Day & Night	Auto
Digital Noise Reduction	Auto
Gain Control	Auto
White Balance	Auto (3,200°K ~ 6,500°K)
Shutter Mode	Auto (Rolling shutter)
IR Distance	25m (IR LED 15ea)
ENVIRONMENTAL	
Operating Temperature / Humidity	0°C ~ +40°C (+32°F ~ +104°F) / 20% ~ 85% RH
ELECTRICAL	
Input Voltage / Current	12V DC
Power Consumption	Max. 2.2W
MECHANICAL	
Color / Material	Dark gray / Plastic
Dimensions (WxHxD)	69.0 x 63.0 x 182.5mm (2.72" x 2.48" x 7.19")
Weight	300g (0.66 lb)

Dimensions

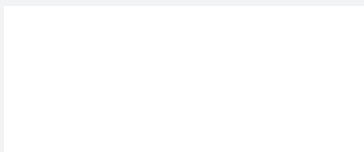
Unit : mm (inch)



The Eco mark represents Samsung Techwin's will to create environment-friendly products, and indicates that the product satisfies the EU RoHS Directive.

Design and specifications are subject to change without notice.

■ DISTRIBUTED BY



I.E-1309



SAMSUNG TECHWIN